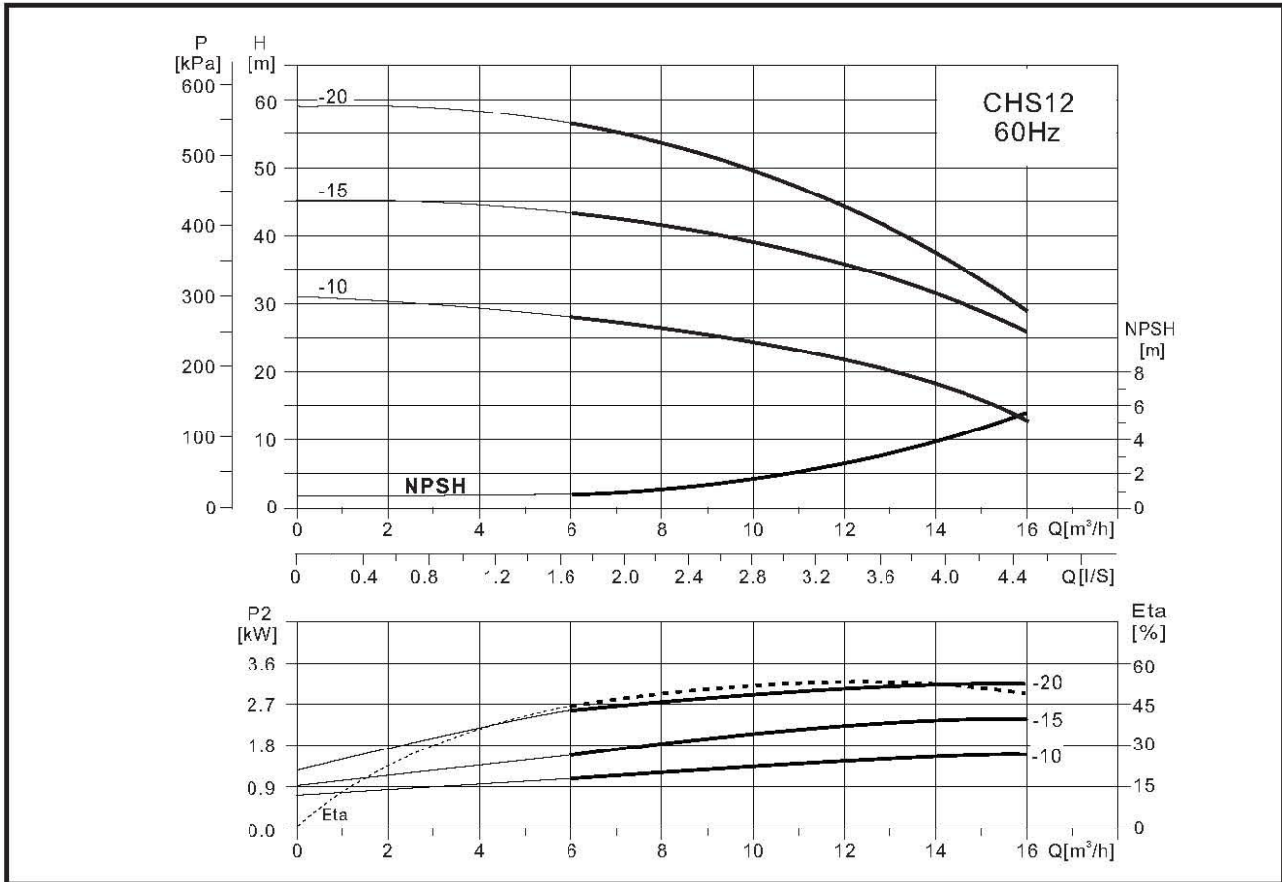


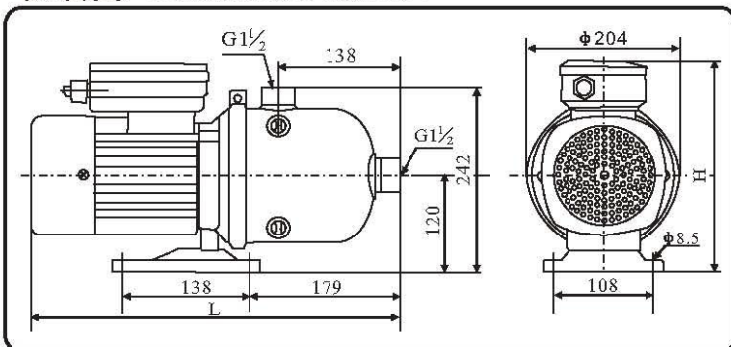
性能曲线 Performance curve



性能表/Performance table

泵型号 Model		配用电机 Driving motor P ₂ (kW)	Q (m ³ /h)	H (m)										
单相 Single Phase	三相 Three Phase			6.0	8.0	9.0	10	11	12	13	14	15		
CHS12-10	CHS12-10T	1.5		28	27	26	25	23	22	20	16	14		
CHS12-15	CHS12-15T	2.2		44	42	41	39	37	35	33	31	28		
	CHS12-20T	3.0		56	54	52	50	46	44	40	32	30		

安装图/Installation sketch



泵型号 Model	尺寸/Size(mm)				重量 Weight (kg)
	单相 Single-phase		三相 Three-phase		
	L	H	L	H	
CHS12-10(T)	450	250	450	235	17
CHS12-15(T)	510	201	450	235	24
CHS12-20T	-	-	540	235	27

注:可按客户要求提供G2接口泵头/pump cover with G2 inlet/outlet is available