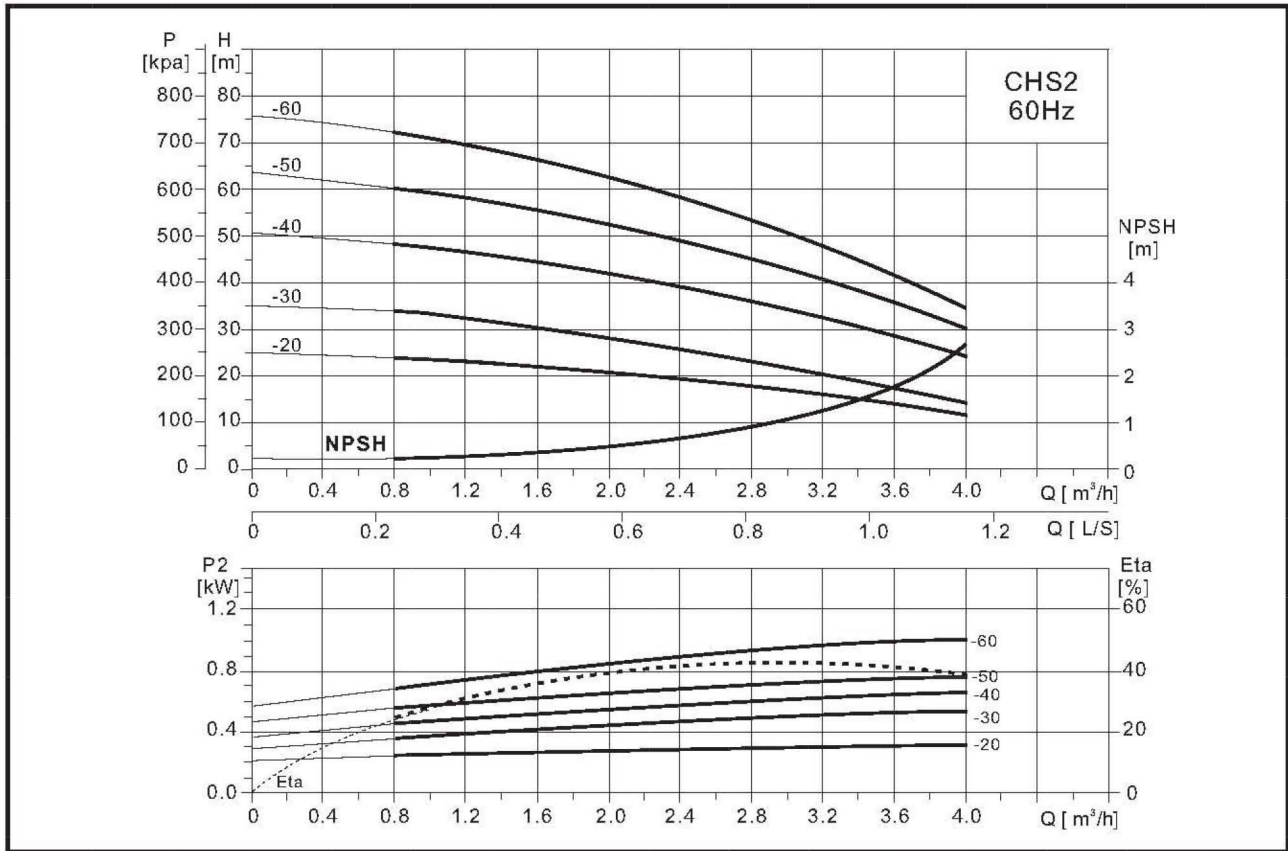


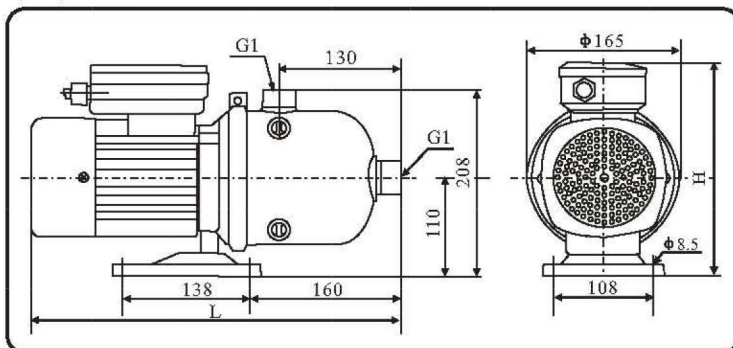
Performance curve



Performance table

Model		Driving motor P ₂ (kW)	Q (m³/h)	H (m)									
Single Phase	Three Phase			0.8	1.2	1.6	2.0	2.4	2.8	3.2	3.6	4.0	
CHS2-20	CHS2-20T	0.37		24	23	22	20	19	17	16	14	12	
CHS2-30	CHS2-30T	0.55		36	35	33	31	29	26	24	21	18	
CHS2-40	CHS2-40T	0.75		48	47	44	42	38	35	32	28	24	
CHS2-50	CHS2-50T	0.75		60	58	55	51	47	43	40	33	30	
CHS2-60	CHS2-60T	1.0		71	70	66	63	58	53	48	41	36	

Installation sketch



Model	Size(mm)				Weight (kg)
	Single-phase		Three-phase		
	L	H	L	H	
CHS 2-20(T)	400	230	400	210	9
CHS 2-30(T)	400	230	400	210	10
CHS 2-40(T)	400	230	400	210	10.5
CHS 2-50(T)	400	230	400	210	11
CHS 2-60(T)	400	230	400	210	12