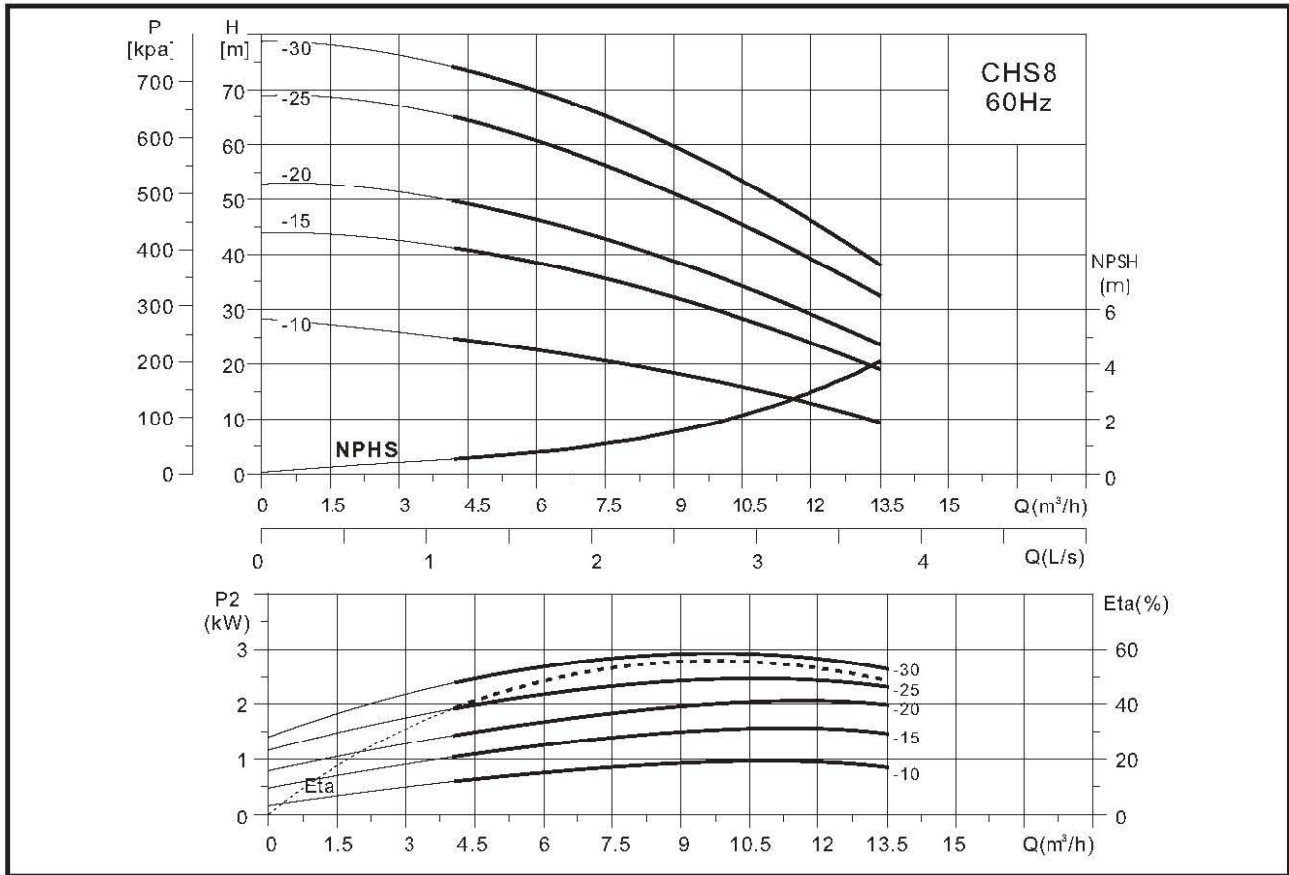


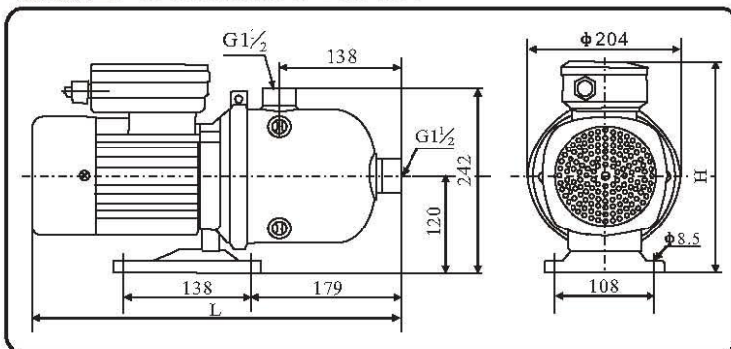
## 性能曲线 Performance curve



## 性能表/Performance table

泵型号 Model		配用电机 Driving motor P <sub>2</sub> (kW)	Q (m <sup>3</sup> /h)	H (m)							
单相 Single Phase	三相 Three Phase			4.0	5.0	6.0	7.0	8.0	9.0	10	12
CHS8-10	CHS8-10T	1.0	H (m)	25	24	23	22	20	19	17	14
CHS8-15	CHS8-15T	1.5		41	39	37	35	34	31	28	24
CHS8-20	CHS8-20T	1.85		50	48	46	43	40	38	34	28
CHS8-25	CHS8-25T	2.2		66	63	60	57	54	50	44	38
	CHS8-30T	3.0		75	72	69	65	60	57	51	46

## 安装图/Installation sketch



泵型号 Model	尺寸/Size(mm)				重量 Weight (kg)
	单相 Single-phase		三相 Three-phase		
	L	H	L	H	
CHS8-10(T)	420	250	420	420	14
CHS8-15(T)	450	250	450	235	17
CHS8-20(T)	510	261	450	235	21.5
CHS8-25(T)	510	261	450	235	24
CHS8-30T	-	-	540	235	27

注:可按客户要求提供G2接口泵头/pump cover with G2 inlet/outlet is available