

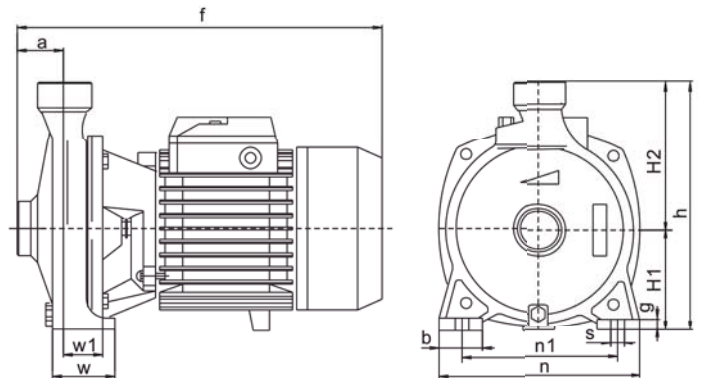
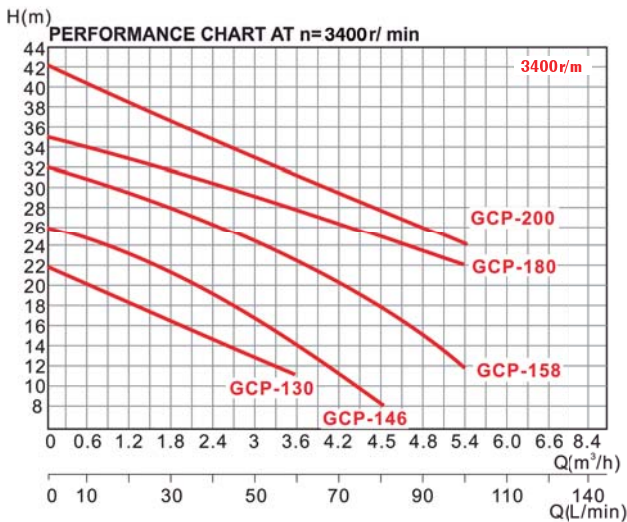
GCP

SERIES SINGLE CENTRIFUGAL PUMPS

The GCP series consists of PUMPS with a single centrifugal impeller, These pumps have an essential form and are the result of precise design choices, are made to obtain specific performance characteristics. The impeller, mounted on the end of the motor shaft, faces directly the suction opening machined in the pump. The shape of the impeller transmits a radial motion to the fluid from the center outwards, with minimum hydraulic loss. The blades inside the impeller channel transfer energy to the fluid both in the form of pressure and increase speed. After leaving the fluid passes to the volute and tapered diffuser which transform part of the kinetic energy into pressure energy.

Performance Range:
Flow rate up to 160l/min
Dynamic head up to 46m

Operating Limits:
Suction lift up to 7m
Fluid temperature up to +60°C
Maximum ambient temperature +40°C



TECHNICAL DATA AT 220V/60Hz

atn= 3400 r/m

PUMP MODEL	Power		Q m³/h	Q(L/min)															
	KW	HP		0	0.3	1.2	1.8	2.4	3	3.6	4.2	4.5	4.8	5.4	6.0	6.6	8.4		
Single phase			L/min	0	10	20	30	40	50	60	70	75	80	90	100	110	140		
GCP-130	0.37	0.50	H m	22	20	17.5	15	13.5	12	11	10.5								
GCP-146	0.55	0.75		26	22.5	22	21.5	20	17	14.5	11	8							
GCP-158	0.75	1		32	30	29	27	26	24.5	22.5	20	18	17.5	12					
GCP-180	1.1	1.5		35	33.5	32	31	29.5	29	28.5	27.5	26.5	26	22					
GCP-200	1.5	2		42	39	37	35	33.5	33	32.5	32	31	30	24					

TECHNICAL DATA AT 220V/60Hz

PUMP MODEL	DN1	DN2	DIMENSIONS mm													
			a	f	h	H1	H2	n	n1	w	W1	b	g	S		
Single phase																
GCP-130	1"	1"	42	259	259	92	129	165	135	52	41	∅2	10	10		
GCP-146	1"	1"	44	298	298	97	145	190	160	58	42.5	∅3	10	10		
GCP-158	1"	1"	44	298	298	97	145	190	160	58	42.5	∅3	10	10		
GCP-180	1"	1"	51	341	341	110	150	206	165	66	44.5	40	12	11		
GCP-200	1"	1"	51.5	358	358	115	175	242	206	55	32.5	∅6	10	11		

Note: 230V/50Hz, 240V/50Hz, 110V/60Hz, 127V/60Hz Model are available on request.