

QUIET RUNNING

HORIZONTAL MULTI-STAGE CENTRIFUGAL PUMPS

Applications:

To work with clean water in domestic applications, irrigation, and hydropneumatic sets.



HMP15

Quiet running horizontal multi-stage centrifugal pumps.

Materials:

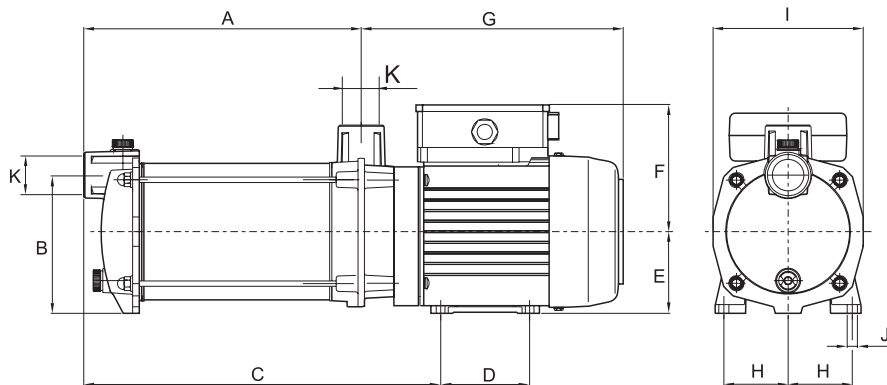
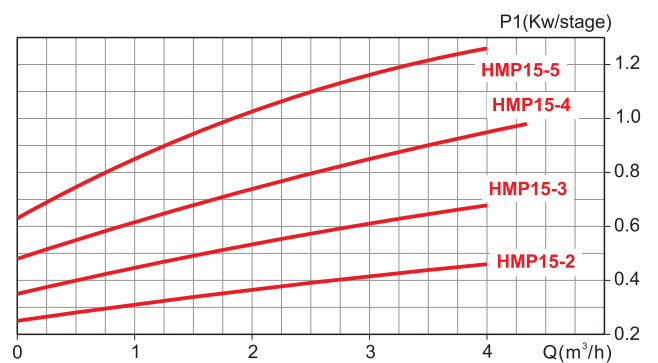
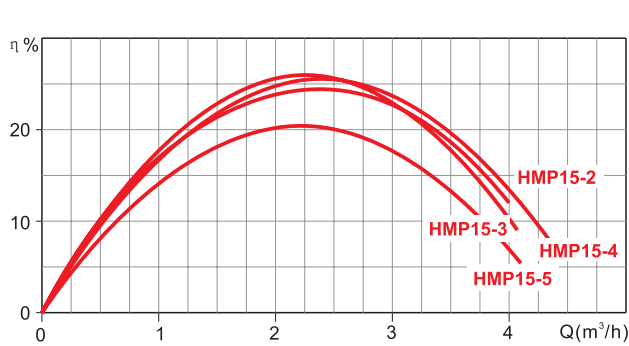
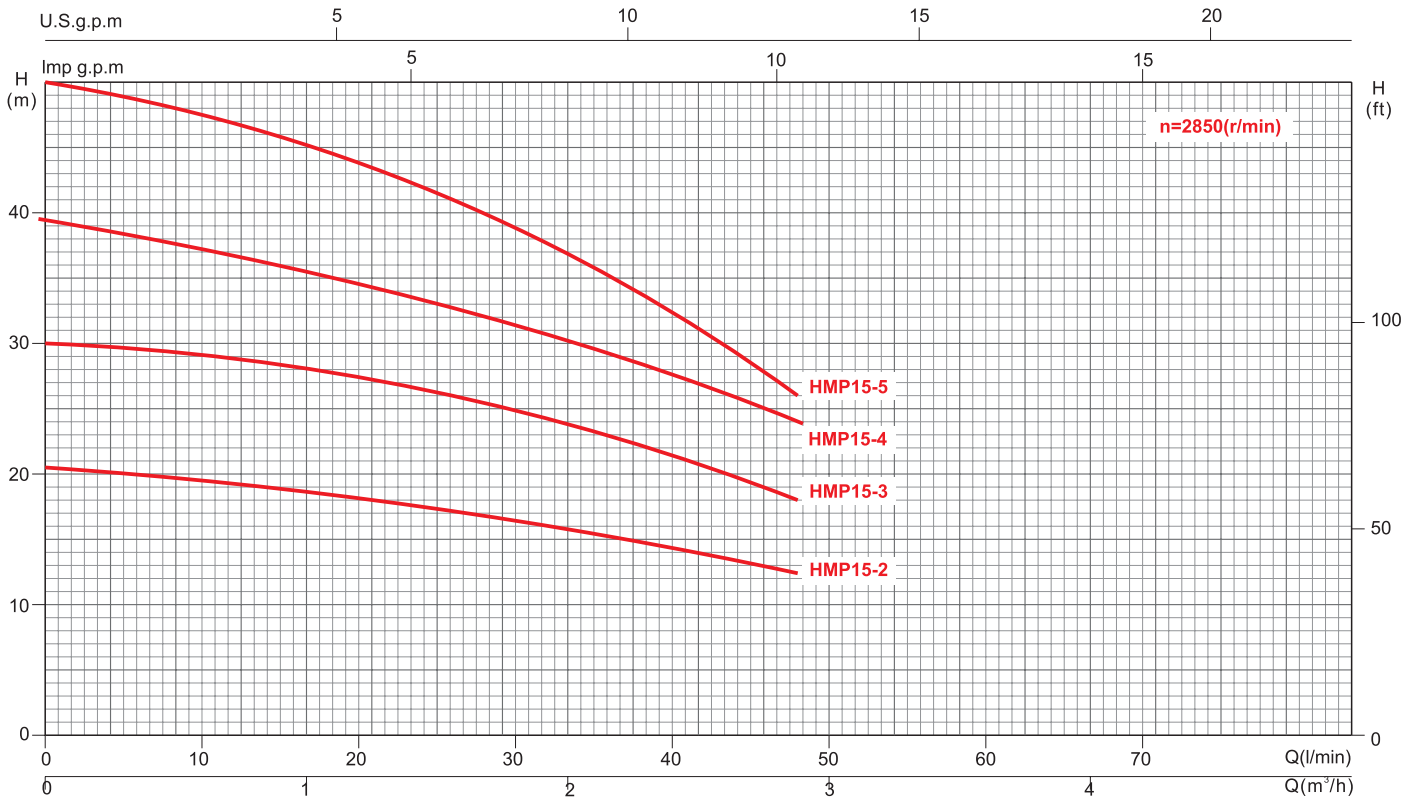
Pump body and impellers in stainless steel AISI-304.
 Motor shaft in stainless steel AISI-420.
 Diffusers in Noryl® (glass loaded polymer).
 Suction and discharge mountings in cast iron.
 Mechanical seal in graphite and steatite.
 O'rings in EPDM.
 Motor housing in aluminium L-2521.
 Windings impregnated with epoxy resin.

Motor:

Asynchronous, two poles.
 IP 55 protection.
 Class F insulation.
 Continuous operation.
 Single phase version built-in thermal protection.

TECHNICAL DATA

Model	KW	V		A		P1(KW)		Q	L/min	0	24	40	48
		1~	3~	1~	3~	1~	3~						
		50HZ	50HZ	220	380								
HMP15-2	0.25	220	380	2.0	1.04	0.45	0.46	H(m)	0	1.44	2.4	2.88	
HMP15-3	0.37	220	380	2.74	1.21	0.61	0.61		20.5	17.5	14	12.4	
HMP15-4	0.55	220	380	3.53	1.3	0.8	0.8		30	26.5	21.5	18.0	
HMP15-5	0.75	220	380	4.13	1.9	0.95	0.95		40	33.5	27.5	23.5	
									50	42.0	32.0	26.0	



DIMENSIONS

	A	B	C	D	E	F	G	H	I	J	K	Kg
HMP15-2M	166	112	228	74	63	102	247	50	130	10	1"	8.2
HMP15-3M	190	112	252	74	63	102	247	50	130	10	1"	9.0
HMP15-4M	214	112	276	74	63	102	247	50	130	10	1"	9.8
HMP15-5M	238	112	300	74	63	102	247	50	130	10	1"	10.6