

QUIET RUNNING

HORIZONTAL MULTI-STAGE CENTRIFUGAL PUMPS

Applications:

To work with clean water in domestic applications, irrigation, and hydropneumatic sets.



HMP25

HMP25S

HMP25

Quiet running horizontal multi-stage centrifugal pumps.

Materials:

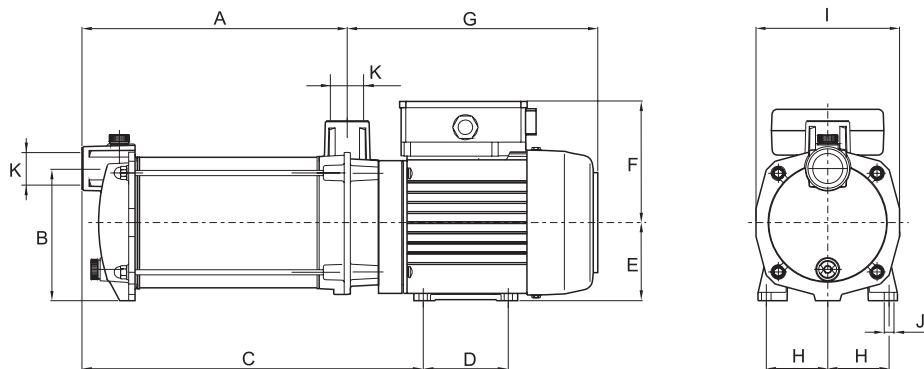
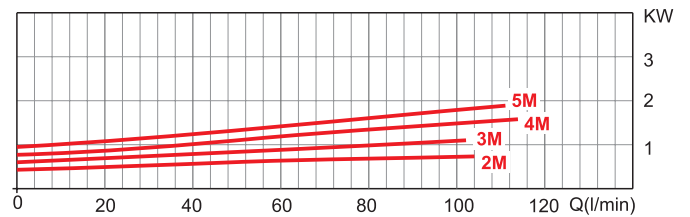
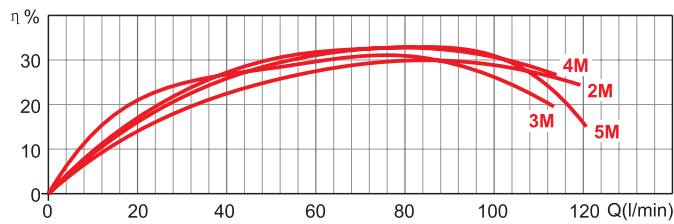
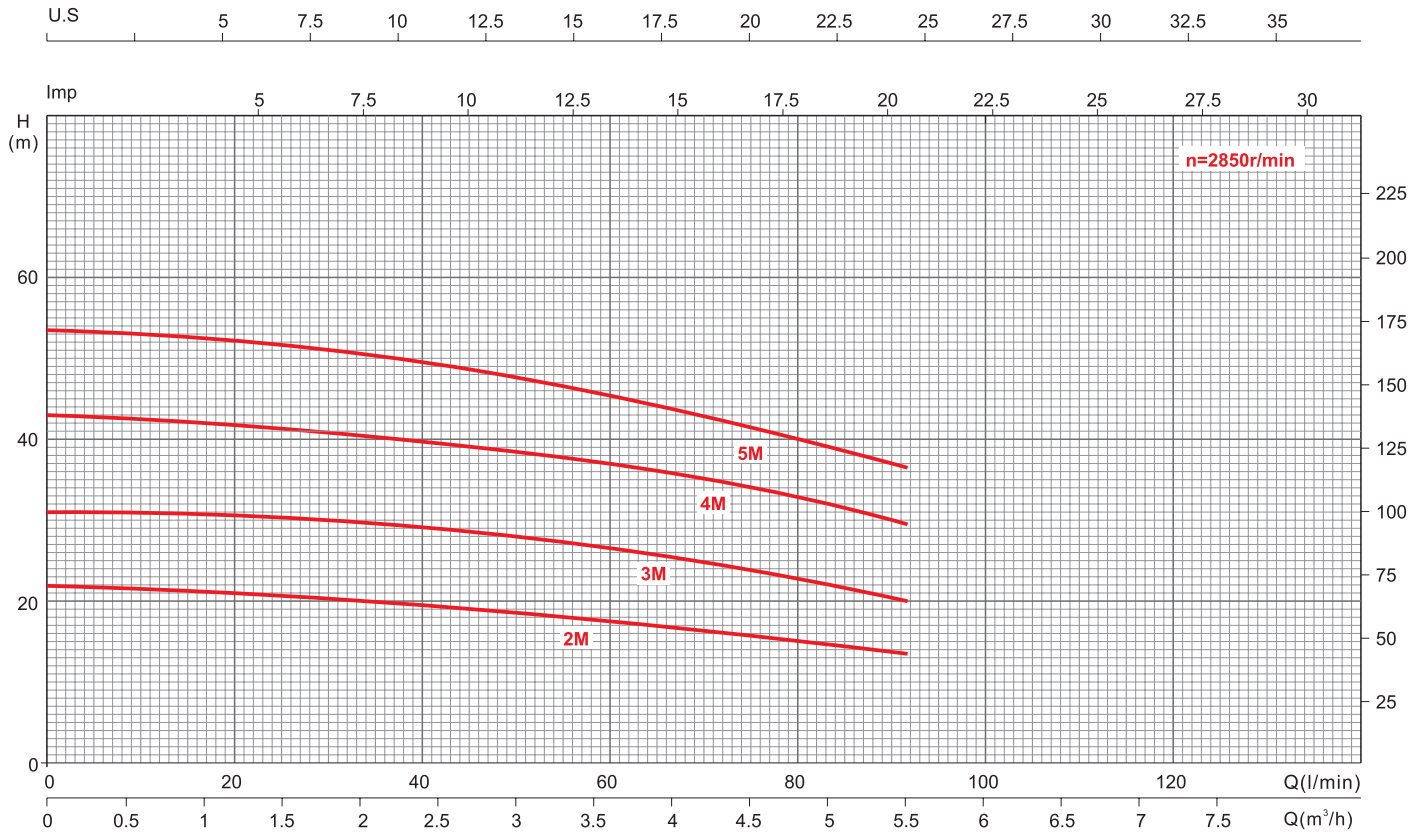
Pump body and impellers in stainless steel AISI-304.
 Motor shaft in stainless steel AISI-420.
 Diffusers in Noryl® (glass loaded polymer).
 Suction and discharge mountings in cast iron or cast steel.
 Mechanical seal in graphite and steatite.
 O'rings in EPDM.
 Motor housing in aluminium L-2521.
 Windings impregnated with epoxy resin.

Motor:

Asynchronous, two poles.
 IP 55 protection.
 Class F insulation.
 Continuous operation.
 Single phase version built-in thermal protection.

TECHNICAL DATA

Model	KW	V		A		P1(KW)		Q	L/min	0	45.83	76.7	91.7
		1~	3~	1~	3~	1~	3~						
		50HZ	50HZ	220	380	0.9	0.85						
HMP25-2M	0.55	220	380	4.3	1.7	0.9	0.85	H(m)	22.4	19.5	16	14	
HMP25-3M	0.75	220	380	5.5	2.0	1.2	1.12		31.5	29.0	24	20.5	
HMP25-4M	0.92	220	380	6.8	2.5	1.5	1.4		43.5	39.5	34.2	30.0	
HMP25-5M	1.1	220	380	8.2	3.0	1.8	1.7		54.0	49.0	41.5	37.0	



DIMENSIONS

	A	B	C	D	E	F	G	H	I	J	K	Kg
HMP25-2M	175.5	130	226	82	71	115	230	59	140	8	1"	12
HMP25-3M	202	130	252	82	71	115	230	59	140	8	1"	12.6
HMP25-4M	228.5	130	279	82	71	115	230	59	140	8	1"	14
HMP25-5M	276	130	328	82	71	126	251	59	140	8	1"	17