

QUIET RUNNING

SERIES SWIMMING POOL PUMPS

Applications:

Recycling and filtering of water of medium and commercial swimming pools.



THREE PHASE

FCP-S

Quiet running single-stage centrifugal pumps, complete with prefilter.

Materials:

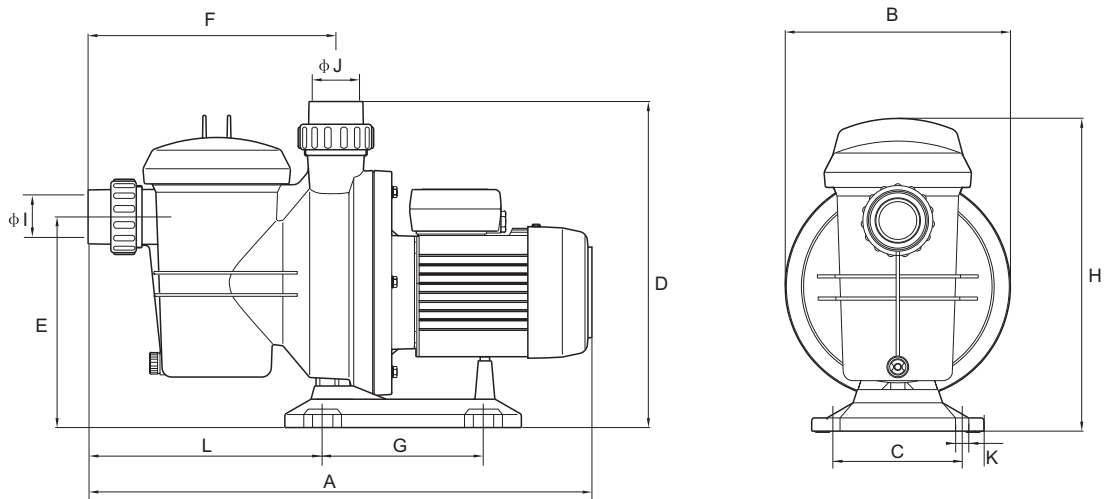
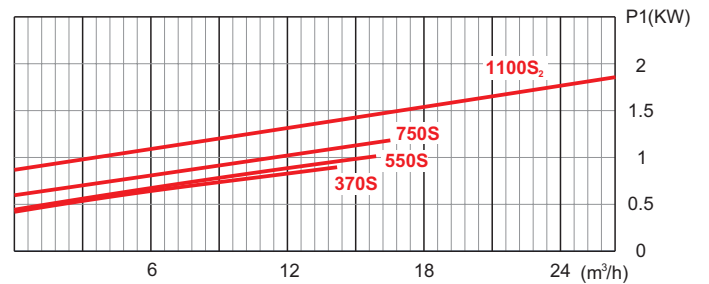
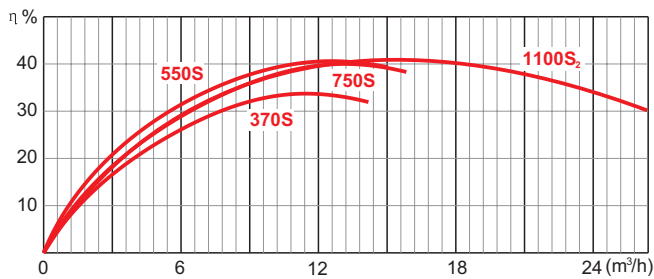
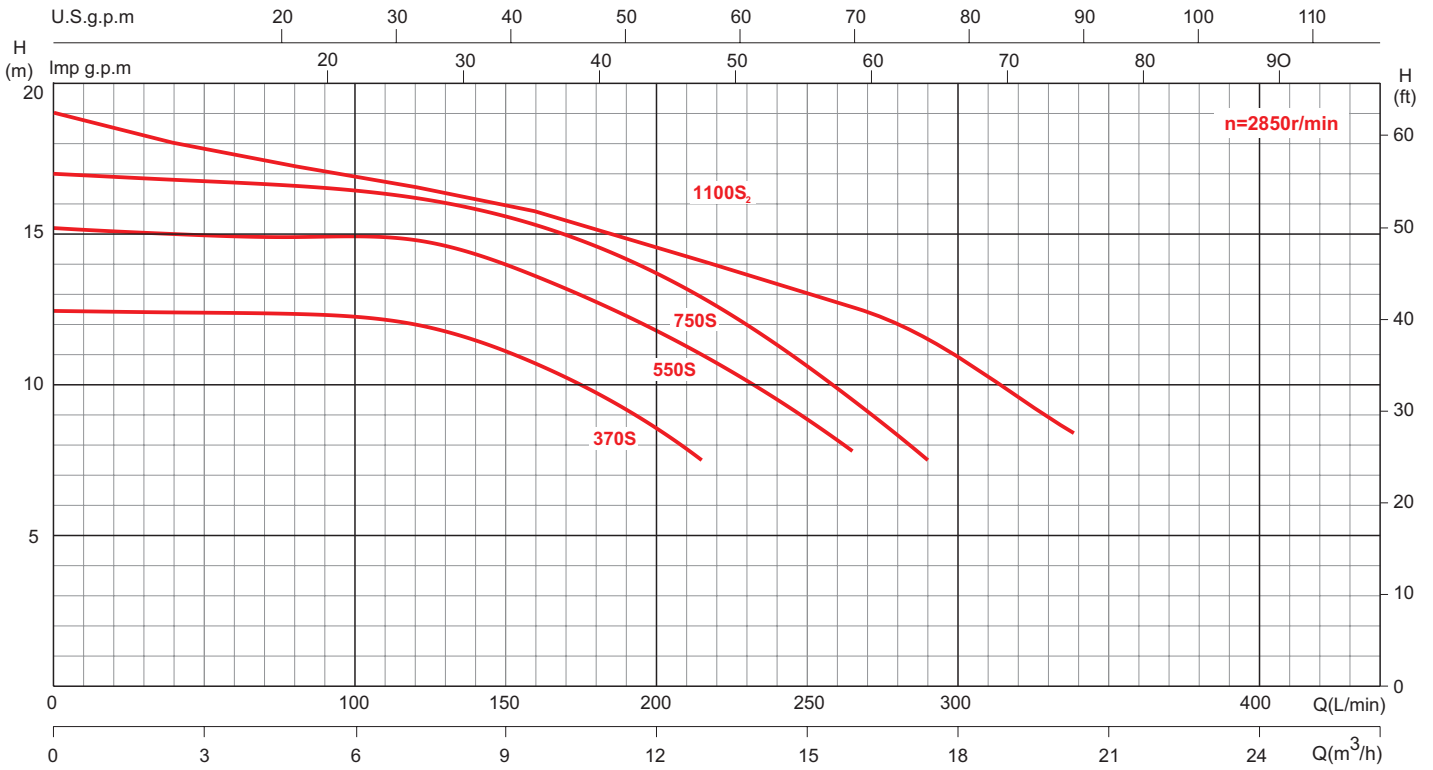
Pump body, pump foot and diffuser in glass loaded polypropilen.
 Impeller in Noryl®.
 Seal mounting in glass loaded polyamide.
 Motor shaft in stainless steel AISI 420.
 Mechanical seal in graphite and steatite.
 Motor housing in aluminium L-2521.
 Windings impregnated with epoxy resin.

Motor:

Asynchronous, two poles.
 IP 55 protection.
 Class F insulation.
 Continuous operation.
 Single phase version built-in thermal protection.

TECHNICAL DATA

Model	KW	KW	V		A		P1(KW)		Q	L/min	0	40	80	120	160	215	265	290	340	
			1~	3~	1~	3~	1~	3~												
			50HZ	50HZ	220	380														
FCP-370S	0.5	0.37	220	380	3.6	1.4	0.8	0.8	H(m)	12.5	12.4	12.3	12.0	10.7	7.5					
FCP-550S	0.75	0.55	220	380	5.1	1.9	1.1	1.0		15.2	15.0	14.9	14.8	13.6	11.0	7.8				
FCP-750S	1	0.75	220	380	5.8	2.2	1.2	1.2		17.0	16.8	16.6	16.2	15.3	12.9	9.5	7.5			
FCP-1100S ₂	1.5	1.1	220	380	7.4	3.0	1.9	1.9		19.0	18	17.2	16.6	15.8	14	13	11	11	8.5	



DIMENSIONS

	A	B	C	D	E	F	G	H	L	I	J	K	Kg
FCP-370S	550	238	160	345	225	262	170	330	205	φ50	φ50	4-φ10	8.7
FCP-550S	550	238	160	345	225	262	170	330	205	φ50	φ50	4-φ10	9.3
FCP-750S	550	238	160	345	225	262	170	330	205	φ50	φ50	4-φ10	10.4
FCP-1100S ₂	570	238	160	345	225	262	170	330	205	φ50	φ50	4-φ10	11.9