

QUIET RUNNING SERIES SWIMMING POOL PUMPS

Applications:
Recycling and filtering water for commercial pools.



FCP-AN (60Hz)

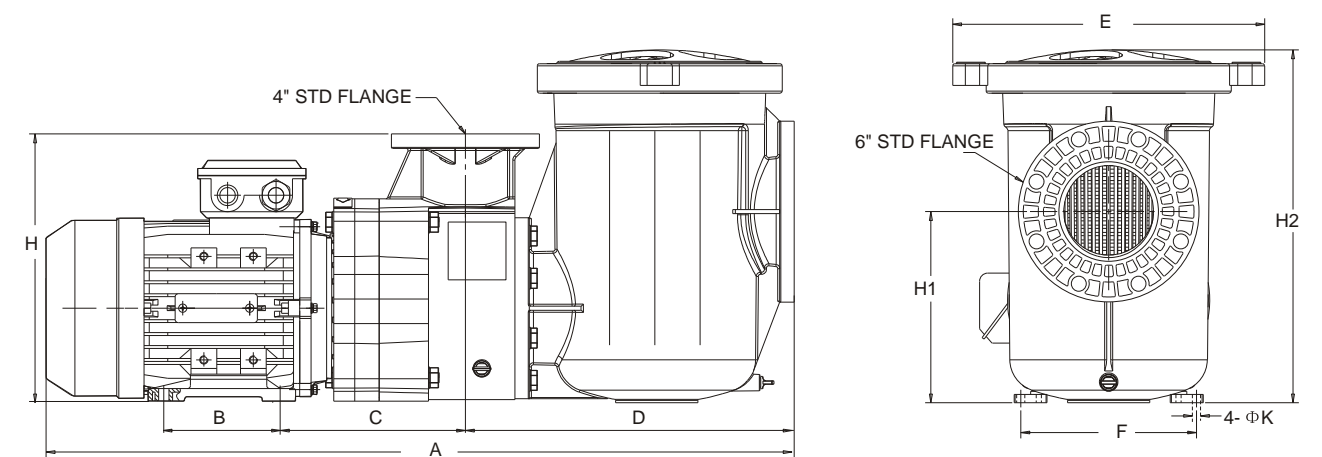
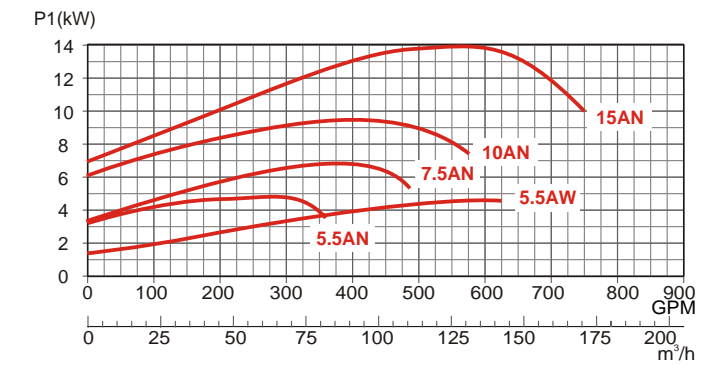
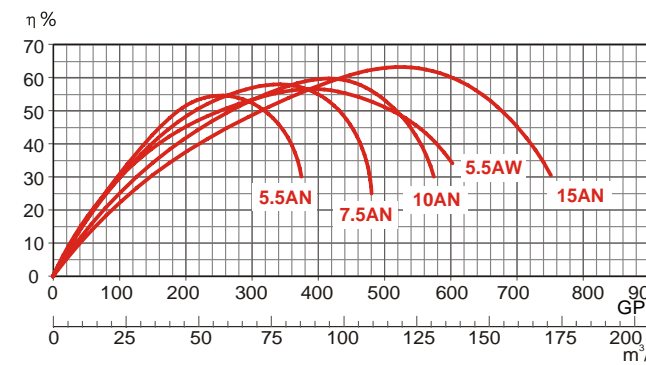
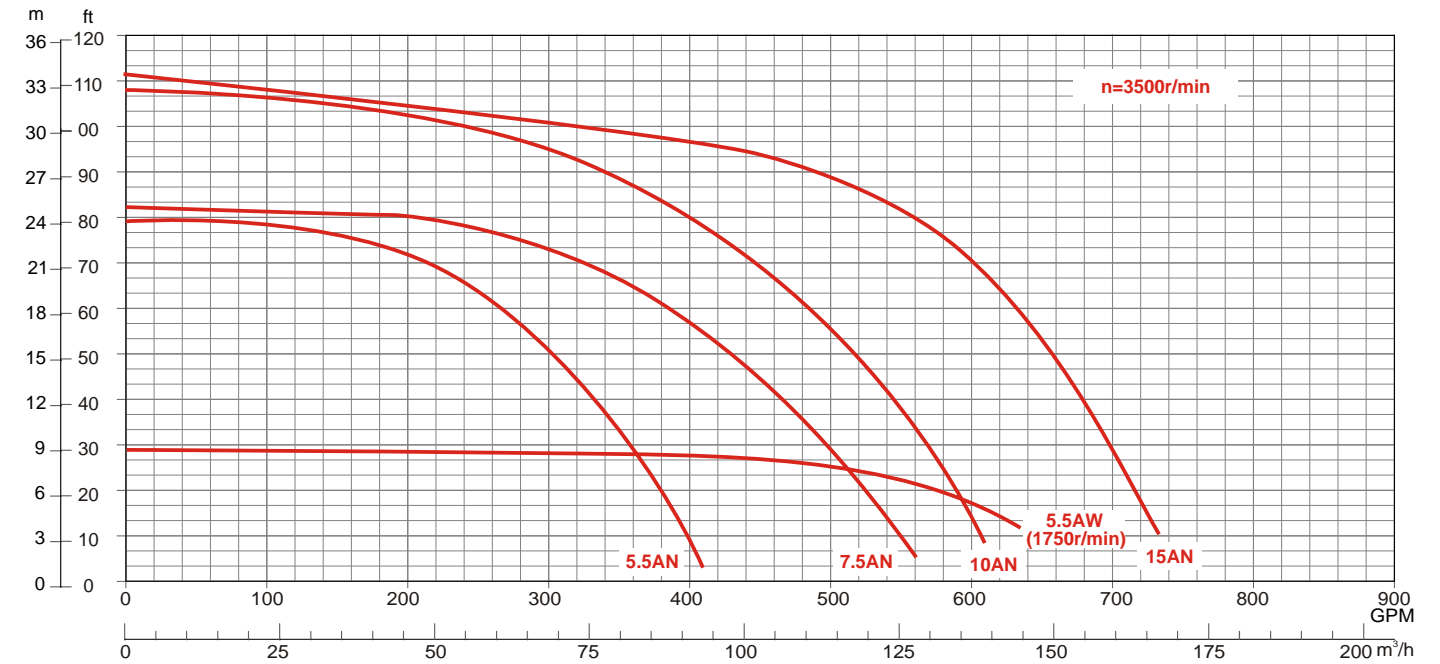
FCP-AN centrifugal pumps complete with prefilter, for filtering and purifying equipment.

Materials:
Pump body, prefilter, diffuser, pump cover, connection cover, filter and impeller in PPO.
Shaft in stainless steel AISI304.
Mechanical seal in sic-sic.

Motor:
Asynchronous, two poles, 5.5AW four poles.
IP 55 protection.
Class F insulation.
Continuous operation

TECHNICAL DATA 60Hz

Model	HP	kW	V		Q	GPM	H(m)							
			3~	3~			0	176	264	352	396	1500	1833	704
FCP-5.5AN	5.5	4	208-230	460	H(m)	0	40	60	80	90	90	110	160	
FCP-7.5AN	7.5	5.5	208-230	460		24.5	23	21	17.5	15	4.5			
FCP-10AN	10	7.5	208-230	460		33	31	29	27.5	23	17	6		
FCP-15AN	15	11	208-230	460		34	32	31	30	29.2	28	22.5	8.5	
FCP-5.5AW	5.5	4	208-230	460		8.5	8.5	8.4	8.2	8	7.6	6		



DIMENSION

Model	A	B	C	D	E	F	H	H1	H2	K
FCP-5.5AW	1070	140	279	508	483	190	415	295	546	12
FCP-5.5AN	1070	140	279	508	483	190	415	295	546	12
FCP-7.5AN	1145	140	279	508	483	190	415	295	546	12
FCP-10AN	1145	140	298	508	483	216	415	295	546	12
FCP-15AN	1330	210	305	508	483	216	415	295	546	12