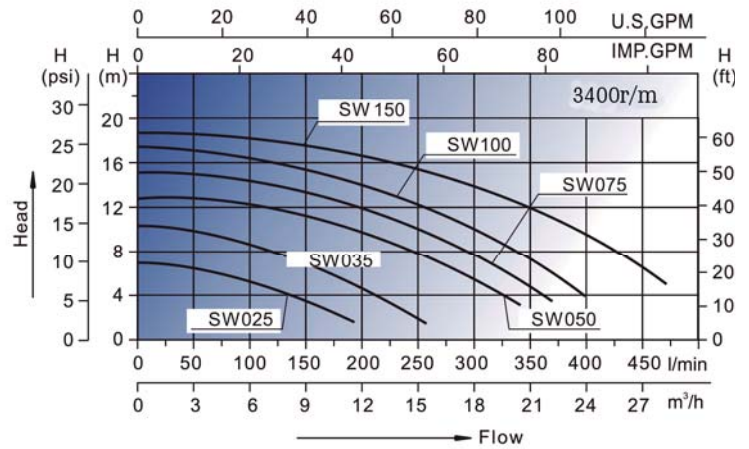




Performance curves



Application

Suitable for the hot spring baths, large swimming pools, water treatment facilities etc.

Features

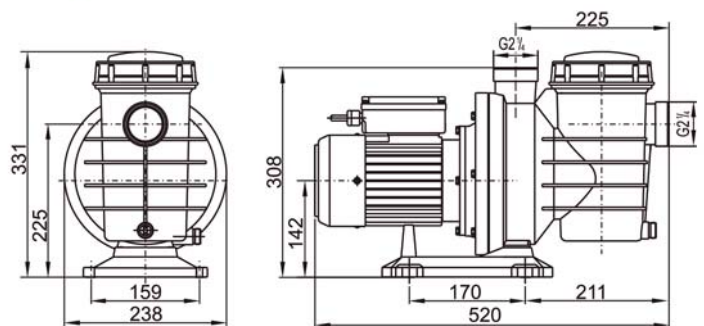
- The wet end is made by High strength engineering plastic.
- And attach with Wear-resisting mechanical seal. **SUS316 material hardware that be suitable for clean water and sea water.**
- Self priming functions. **The Max suction is 2.5m.**
- 71 Frame with exclusive plastic base.
- With low noise standard motors; Single phase motor installation TI KLIXON thermal protector.
- Motor adopts high temperature resistant bearing that be long life, reliable and durable.
- Liquid absolutely separate with shaft to keep more safe and reliable.
- Air switch/ pneumatic switch is optiona.
- Insulation class F, Protection IPX5
- Installation dimension is same Silen type and both dimension are interchangeable.
- CE, TUV-GS certification approval.

Working conditions

Medium temperature: 5-50°C
 Environmental temperature: ≤60°C
 Max.working pressure: 0.3MPa



Overall dimension



Technical parameter list

Model	Qmax (l/min)	Hmax (m)	V/Hz	Power(P1)		Power(P2)		(Amps)	Fitting size (mm)	Packing size (mm)	(Qty/20')
				kW	HP	kW	HP				
SW025	195	7	220-240/50 220-240/60	0.37	0.50	0.25	0.33	1.9	48.5or50	560×275×390	483
SW035	255	10		0.55	0.75	0.37	0.50	2.7			
SW050	340	12.5		0.75	1.0	0.55	0.75	3.8			
SW075	370	15		0.9	1.2	0.65	0.85	4.6			
SW100	390	17.5		1.1	1.5	0.75	1.0	5.8			
SW150	470	18.5		1.5	2.0	1.1	1.5	7.0			

110V/50Hz, 115V/60Hz models are available on request