

WQ SERIES SEWAGE SUBMERSIBLE PUMP

PUMP INSTALLATION AND APPLICATIONS

WQ-Type Sewage/Dirt submersible pump is extensively used in industrial, mining and architectural operations, being made of hard alloy and reliably well-sealed and equipped with overheat/overload protection device, it is also featured by its long durability and safety for use.

STRUCTURAL CHARACTERISTICS

DELIVERY BODY :

cast iron, with UNI ISO 228/1gas threaded vertical delivery opening.

BASE: cast iron.

IMPELLER: cast iron/brass

MOTOR SHAFT: AISI 314 stainless steel.

MECHANICAL SEAL: carbon/alumina.

MOTOR: Sealed induction MOTOR with double impregnated class F winding (ensuring extended motor life and wide range of use).The thermal cutout relay (motor protector) is incorporated in single phase models (0.55kW~2.2kW),In the three phase versions (0.75kW up) three thermal overload connected by motor control box.

PROTECTION: IP 68.

SUPPLY CABLE: Supplied standard with 5 meters of cable and plug. (required).

EXTERNAL FLOAT SWICHTH: standard equipment.
Only single phase Up 1.1Kw.

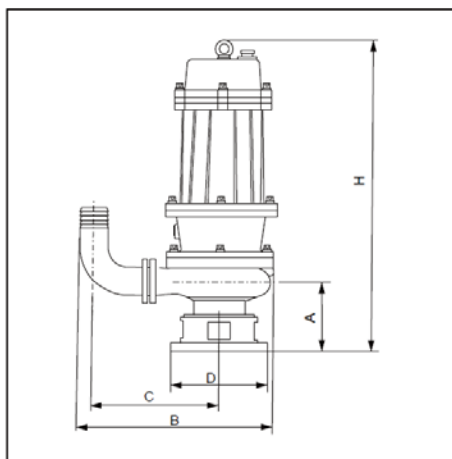
OPERATING LIMITS:maxium operating depth 7m
fluid temperature up to +40

WARRANTY: 1 YEAR

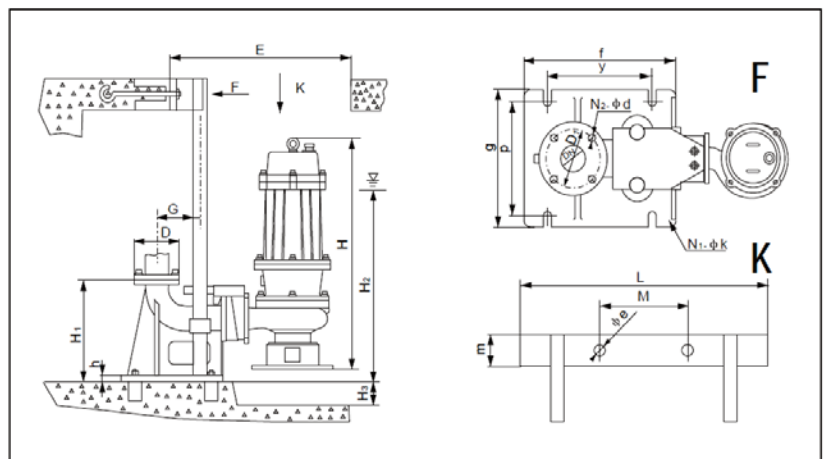
(according to our general sales conditions).



Installation sketch



Installation size sketch



WQ SERIES SEWAGE SUBMERSIBLE PUMP

WQ

Application:

- ◆ Domestic / Commercial / Industrial use.
- ◆ Drainage of sewage from the building basement, hotel, Industry waste water from factories
- ◆ Pumping surface and draining water from the garages and sprinkles systems.
- ◆ Being equipped with a double-channel impeller

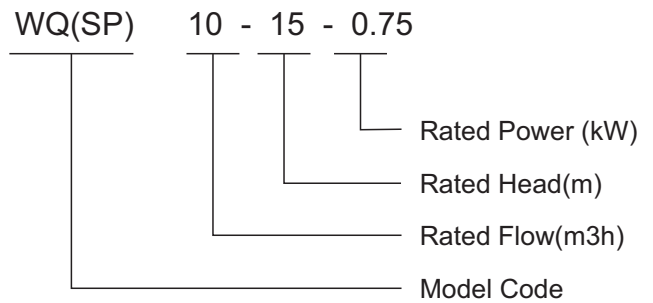
Operating Conditions:

- ◆ Submersible depth 7m..
- ◆ Liquid temperature up to +40°C.
- ◆ Ambient temperature up to +40°C.
- ◆ Max. Working pressure: 6 bar.
- ◆ Passage of suspended solid up to 35mm.

Motor:

- ◆ 2 pole induction motor.
- ◆ Single-phase / three-phase, 60Hz.
- ◆ Insulation: Class F.
- ◆ Protection: IP 68.
- ◆ With capacitor and thermal overload protection.

Model Implication:



Material:

- ◆ Pump body: Cast Iron.
- ◆ Motor bracket: Cast Iron.
- ◆ Motor Shaft: SS304/SS316/SS420.
- ◆ Mechanical seal: Ceramic-Graphite.

Performance Curve:

